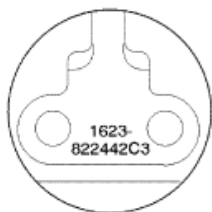
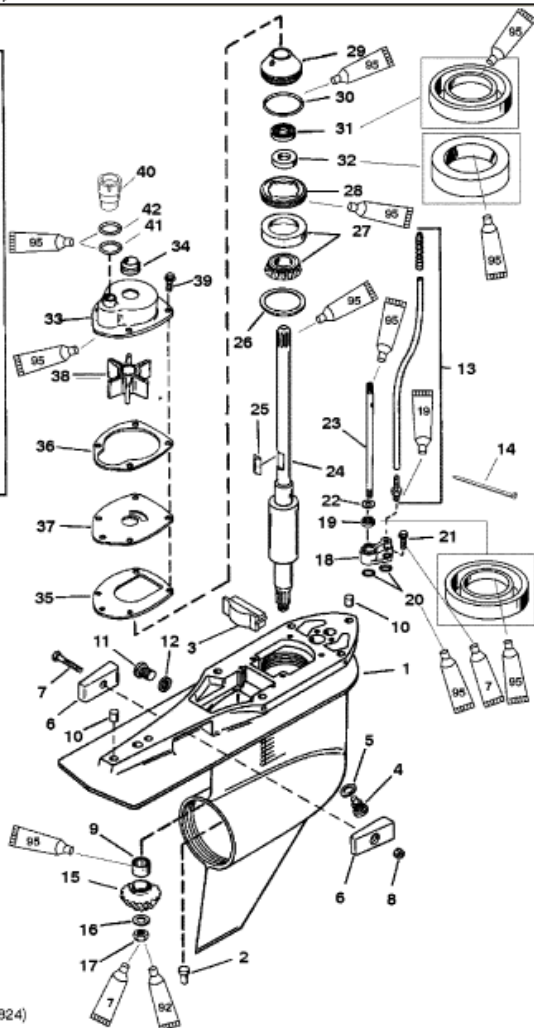


4.75 IN/120.65MM
 TORPEDO DIA.



- Loctite 271 (92-809820)
- Perfect Seal (92-34227-1)
- Loctite 7649 Primer (92-809824)
- 2-4-C With Teflon (92-825407A12)



Parts List						
Ref	Class	Part	Description	Qty	Comment	Footnote
1	1623	822442A83	GEAR HOUSING	1	(BASIC-BLACK)	
1	1623	822442A84	GEAR HOUSING	1	(BASIC-GRAY)	
1	1623	822442A79	GEAR HOUSING	1	(BASIC-WHITE)	
2	17	37972	PIN	1		
3		821526	FILLER BLOCK	1		
4	22	67892A	MAGNETIC SCREW	1		
5	12	19183	SEALING WASHER	1		
6		826134	ANODE	2		
7	10	40003	SCREW	1		
8	11	826833	NUT	1		
9	31	42647A	ROLLER BEARING	1		
10	17	43044	DOWEL PIN	2		
11	10	79953A	SCREW ASSEMBLY	1		
12	12	19183	SEALING WASHER	1		9,11
13	22	85822A10	CONNECTOR	1	(XL)	
13	22	85822A 6	CONNECTOR	1	(XXL)	
14		56762	CABLE TIE	1		
15		NSS	PINION GEAR (PART OF 43-8286)	1	(1.75:1 - 12/21)	14
16	12	92721	WASHER	1		
17	11	35921	NUT	1		
18	23	815921A	BUSHING ASSEMBLY	1		
19	26	816464	OIL SEAL	1		9
20	25	36318	O RING	2		9
21	10	19937	SCREW (M6 X 16)	2		
22	12	77674	RUBBER WASHER	1		
23		824145	SHIFT SHAFT (LOWER)	1		
24	45	816472	DRIVE SHAFT (LOWER)	1		
25	28	43037	KEY	1		11
26	15	42637A	SHIM	AR		5
27	31	36387A	TAPERED ROLLER BEARING	1		
28		824519	RETAINER	1		
29		821759A	CARRIER ASSEMBLY	1		11
30	25	90011	O RING	1		9,11
31	26	66302	OIL SEAL	1		9,11
32	26	66302	OIL SEAL	1		9,11
33		817275A	WATER PUMP ASSEMBLY	1		11
34	26	816575A	SEAL	1		9,11
35	27	43033	GASKET	1		9,11
36	27	817277	GASKET	1		9,11
37		817276	FACE PLATE	1		11
38	47	43026	IMPELLER	1		11